



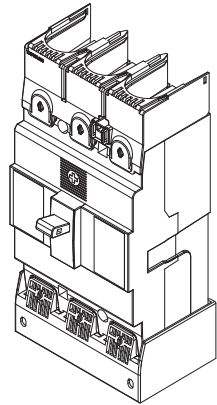
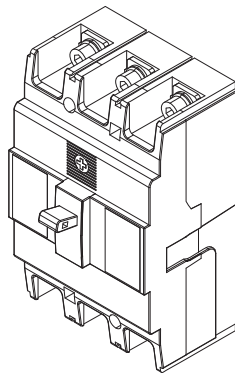
INSTALLATION INSTRUCTIONS CONCEPT ISOLATOR

CEL3160M / CEL3250M

CEL3160MK / CEL3250MK

ISOLATOR ONLY

ISOLATOR +
NC CHASSIS CONNECTION KIT



Instantaneous only protection provided. Separate overload protection required.

NHP Electrical Engineering Products Pty Ltd
A.B.N. 84 004 304 812



AUS 1300 NHP NHP | nhp.com.au
NZ 0800 NHP NHP | nhp-nz.com

CEL3xxxMx-IN-001-EN © Copyright NHP 2020.11.18

TOOLS REQUIRED (NOT included)

- T1 Screwdriver Flathead (5mm)
- T2 Screwdriver Phillips (#2)
- T3 13mm Socket wrench
- T4 6mm Allen key Socket wrench
- T5 8mm Ring Spanner

HARDWARE (included)

- A M8x20 Socket screw (6 qty)
- B M8 spring washer (6 qty)
- C M8 flat washer (6 qty)
- D M4x55 mounting screws (2 qty)
- E Interpole Barriers (2 qty)
- Instruction Manual (This Document) (1 qty)

HARDWARE (NOT included)

- F Lugs or Copper Bars
- G *M8x25 hex bolt (6 qty)
- H *M8 flat washer (6 qty)
- J *M8 Belleville washer (6 qty)
- K *M8 nut (6 qty)

*For extension bar connection

OPTIONAL (NOT included)

- L Extension Bars
- M Terminal Covers
- N Terminal Cover Lock
- P Handle Lock
- Internal Accessories

NOTE: REFER TO ANNEX ON NEXT PAGE FOR ACCESSORY PART NUMBERS

ORIENTATION, MOUNTING & CLEARANCE

BR₁, BR₂ = Adjacent Isolators / MCCBs

INSULATION

SIDE PLATE (EARTHED METAL)

TOP PLATE (EARTHED METAL)

INSULATION PLATE

W**, X₁, X₂, Y, Z

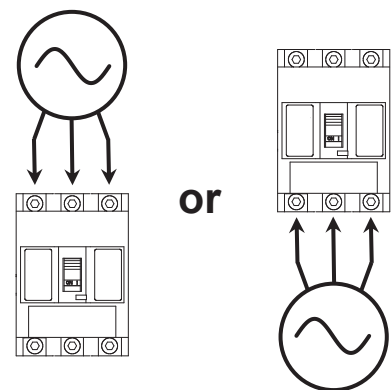
W** min (mm)	X ₁ min (mm)	X ₂ min (mm)	Y min (mm)	Z min (mm)
50	40	30	0	25

OPERATING INSTRUCTIONS

TRIP Button

Operation	Force (N)
OFF → ON	53
ON → OFF	57
TRIP → OFF	91

DIRECTION OF POWER SUPPLY



POWERMAX CHASSIS CONNECTION KIT

Direct connection of isolator to busbar chassis requires hardware kit.

CEL3160MK / CEL3250MK include isolator and NC chassis connection kit. For direct connection to isolation (GB) busbar chassis, purchase isolator and GB connection kit separately.

CELNCK3D (for NC CHASSIS)

CELGBCK3D (for GB CHASSIS)

For kit installation instructions, refer to the following documents:
NC connection kit - CELNCK3D-IN-001-EN
GB connection kit - CELGBCK3D-IN-001-EN

FRONT CONNECTION - CONDUCTOR CONNECTION PROCEDURE

6x TORQUE 10 Nm

FCBA

ABC F

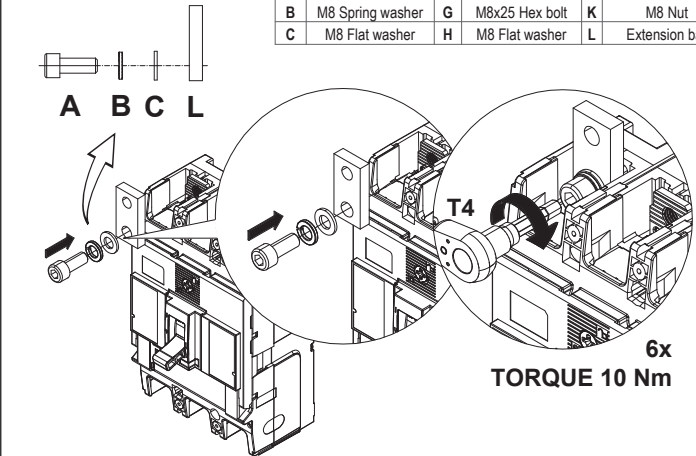
6x TORQUE 10 Nm

R	≤ 22mm
S	≤ 7mm
T	≤ 11mm
ØU	9mm
ØV	8.4mm

FRONT CONNECTION - EXTENSION BAR CONNECTION PROCEDURE

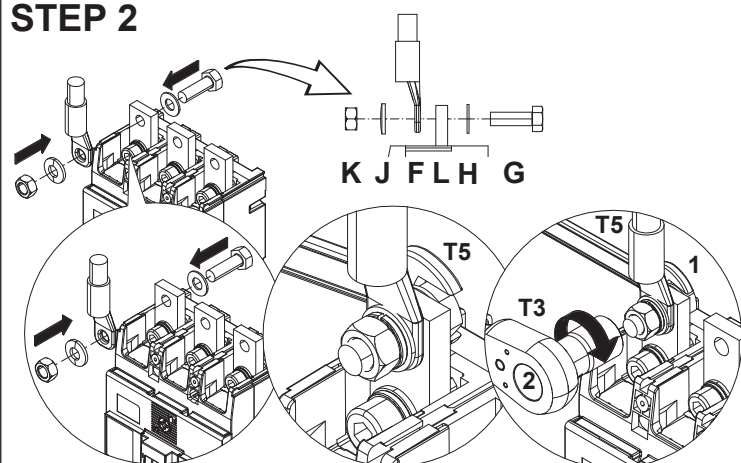
STEP 1

A	M8x20 Socket screw	F	Lug or copper bar	J	M8 Belleville washer
B	M8 Spring washer	G	M8x25 Hex bolt	K	M8 Nut
C	M8 Flat washer	H	M8 Flat washer	L	Extension bar

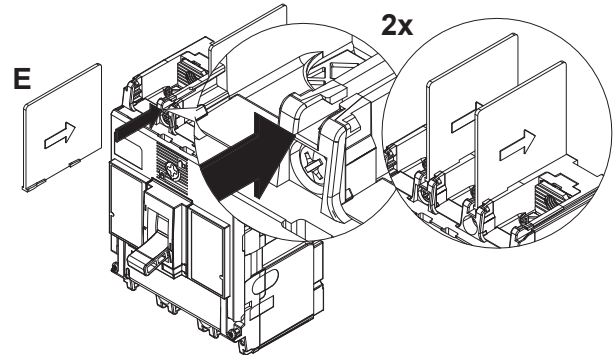


6x
TORQUE 10 Nm

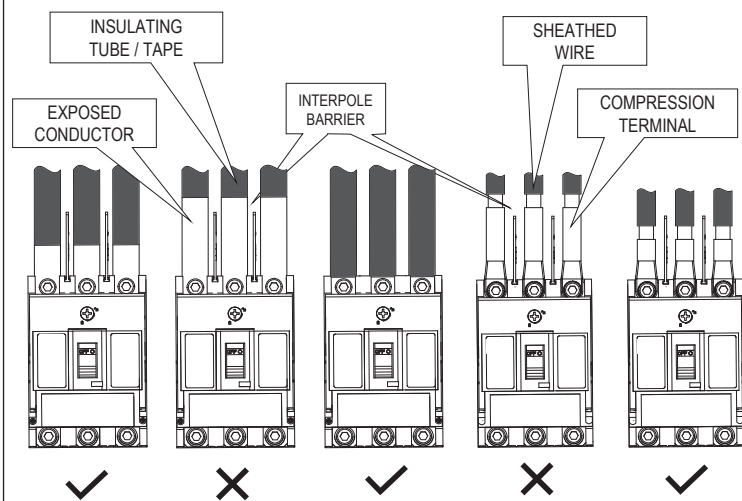
STEP 2



INTERPOLE BARRIER INSTALLATION

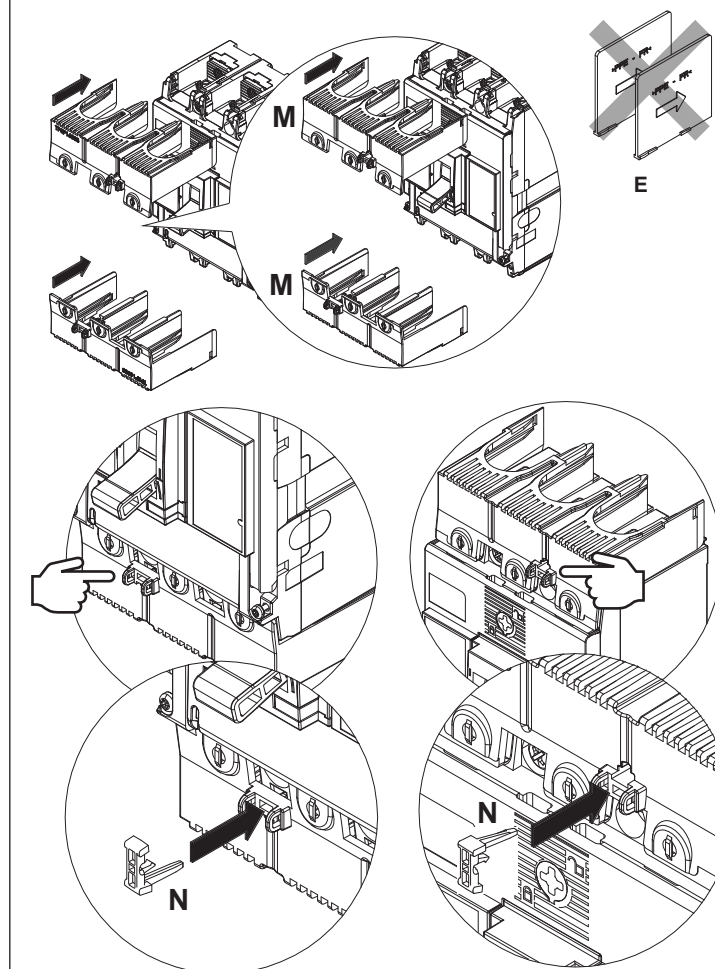


TOPSIDE INSULATION RECOMMENDATIONS – 415 / 440V AC



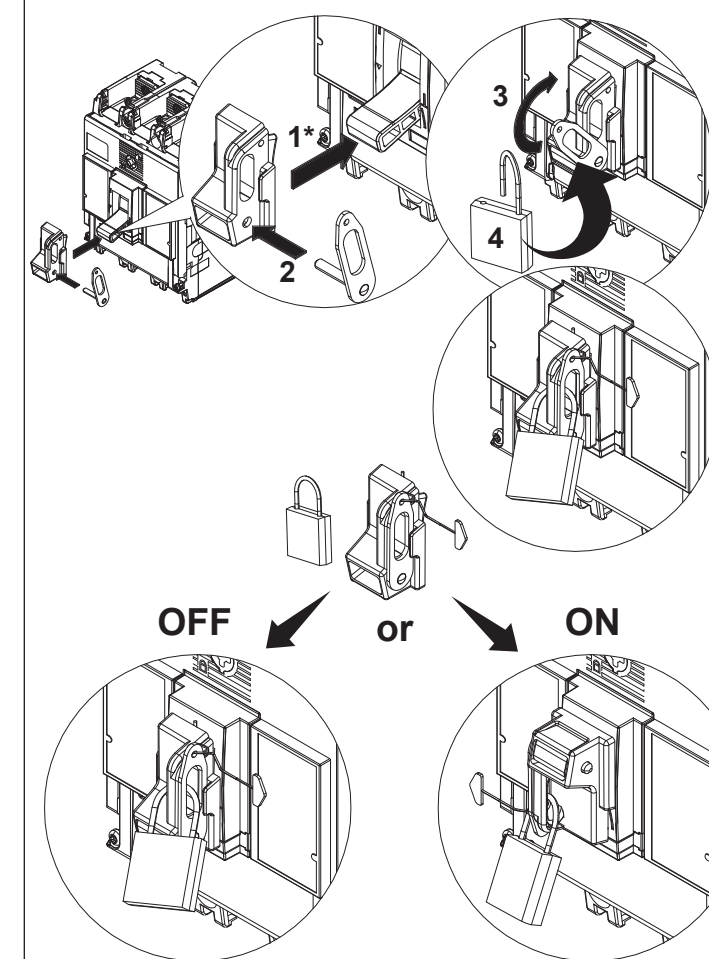
NOTE: Insulate the exposed conductor to achieve IP 2X or protect from finger access.

TERMINAL COVER MOUNTING PROCEDURE*



* Short terminal cover represented in instruction; flush and extended terminal covers available

HANDLE LOCK / PADLOCK ASSEMBLY PROCEDURE#

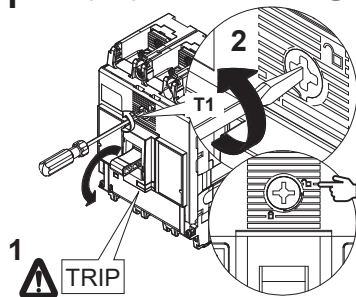


*Set isolator toggle in required locking position i.e. OFF or ON

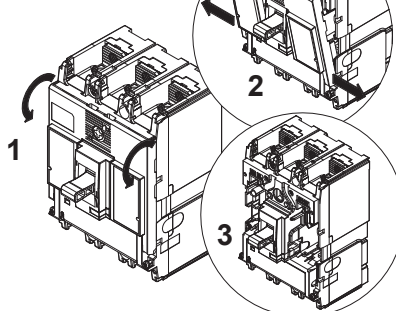
Non-captive lock represented in instruction; captive lock also available

INTERNAL ACCESSORIES ASSEMBLY PROCEDURE*

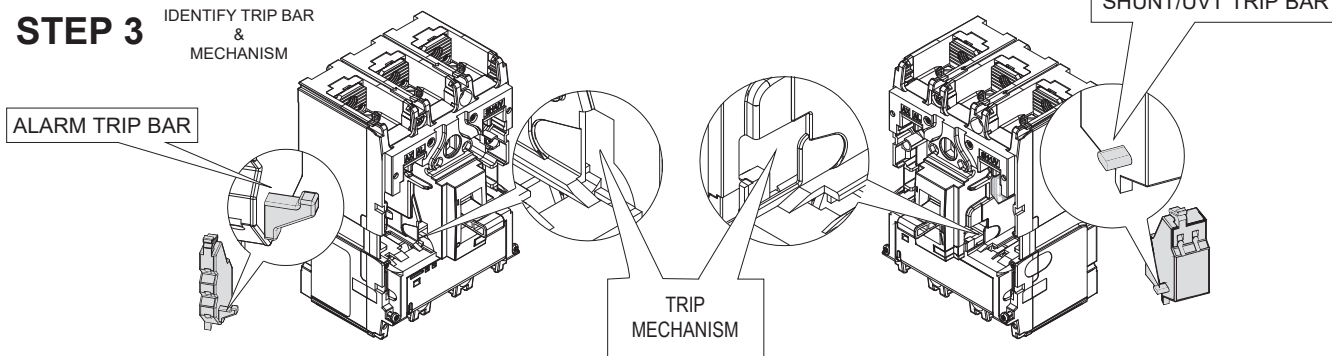
STEP 1 TRIP ISOLATOR



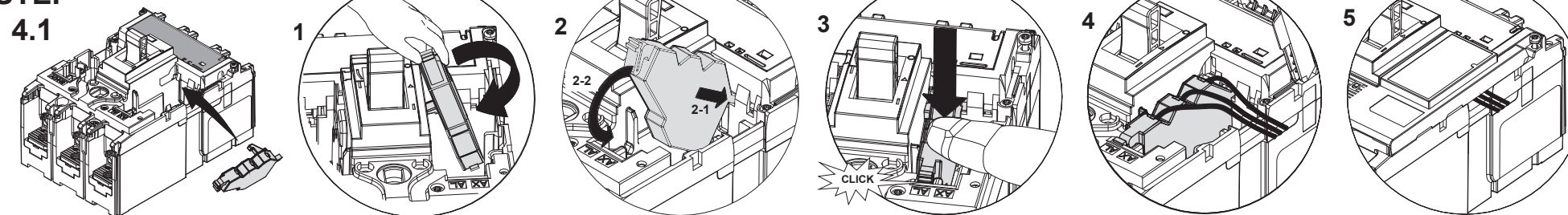
STEP 2 OPEN COVER



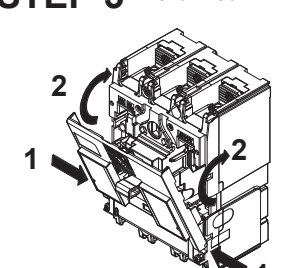
STEP 3 IDENTIFY TRIP BAR & MECHANISM



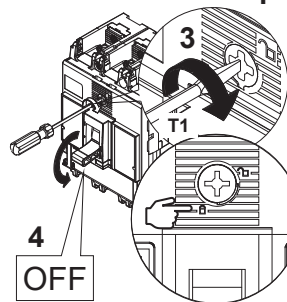
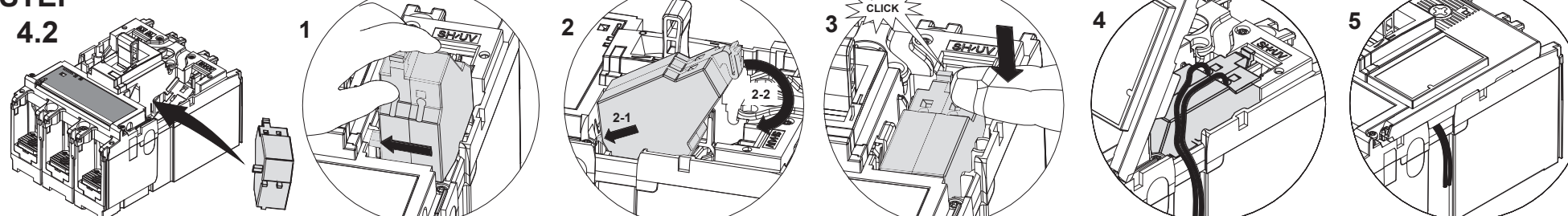
STEP 4.1 ALARM INSTALLATION



STEP 5 CLOSE COVER



STEP 4.2 UVT/SHUNT INSTALLATION



* For additional internal accessory installations, scan QR code and refer to user manual for more details.

ANNEX – ACCESSORY PART NUMBERS

#	Description	Part Number
L	Extension bars – straight bars, 3P	T2FB25L3SH
	Extension bars – flanged bars, 3P	T2FB25L3WH
M	Terminal covers – standard, 3P (qty of 2)	T2CS25L3SP
	Terminal covers – long, 3P (qty of 1)	T2CF25L3SSHP
	Terminal covers – wide, 3P (qty of 1)	T2CF25L3SWHP
N	Terminal cover locking clip	T2CF25LL
P	Toggle lock - captive	T2PL25LIP
	Toggle lock – non captive	T2HL25L
	NC chassis connection kit	CELNCK3D
	GB isolation chassis connection kit	CELGCK3D
	Shunt trip, 230 - 240V AC	T2SH00LA20T
	Shunt trip, 400 - 415V AC	T2SH00LA40T
	Undervoltage trip, instantaneous operation, 230 - 240V AC	T2UV00LA20NT
	Undervoltage trip, instantaneous operation, 400 - 440V AC	T2UV00LA40NT
	Undervoltage trip, time delay operation (500ms), 230 - 240V AC	T2UV00LA24DS
	Undervoltage trip, time delay operation (500ms), 380 - 415V AC	T2UV00LA40DS
	Alarm, general type, 1 C/O, left side only	T2AL00ML3SWA
	Alarm, general type, 1 C/O, right side only	T2AL00LMR3SWA
	Alarm, micro switching, 1 C/O, left side only	T2AL00ML3RWA
	Auxiliary, general type, 1 C/O	T2AX00ML3SWA
	Auxiliary, micro switching, 1 C/O	T2AX00ML3RWA

NOTE: Standard accessories shown in table, for other available accessories please contact NHP or scan QR code for more details.