



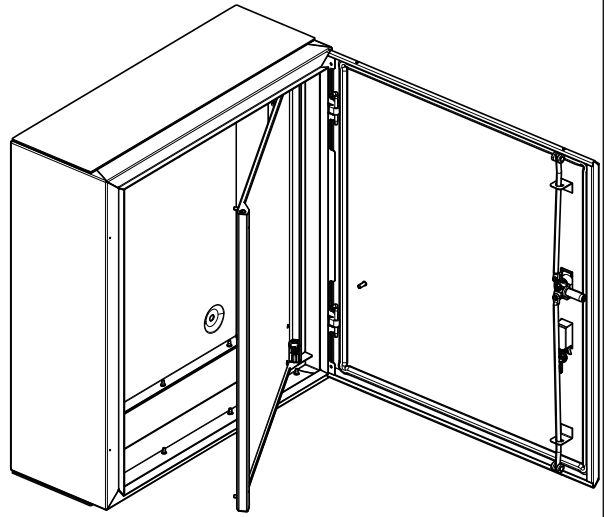
CONCEPT
PANELBOARDS

INSTALLATION INSTRUCTIONS

ESCUTCHEON

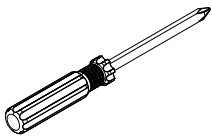
REMOVAL / FITMENT

CONCEPT PLUS / PREMIER



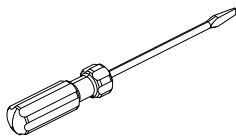
TOOLS REQUIRED (not included)

T1



Screwdriver
Pozi #2

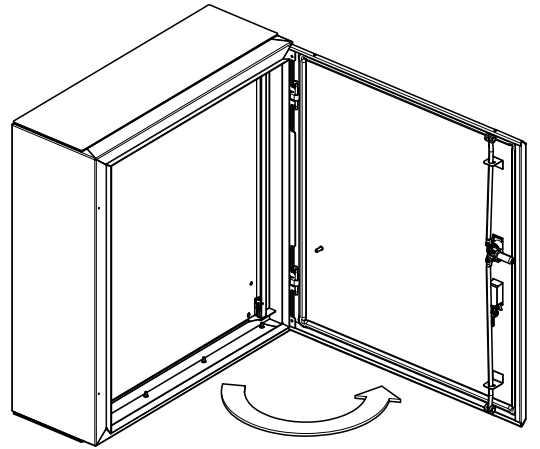
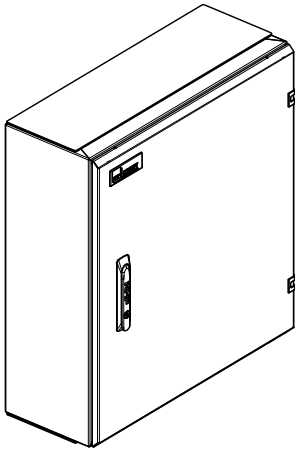
T2



Screwdriver
Flathead

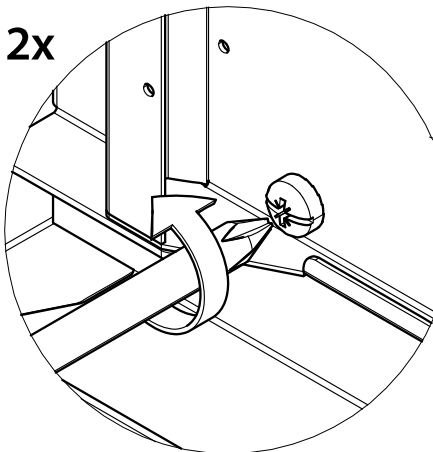
0

START – ESCUTCHEON REMOVAL



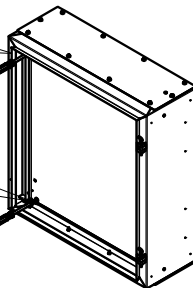
1

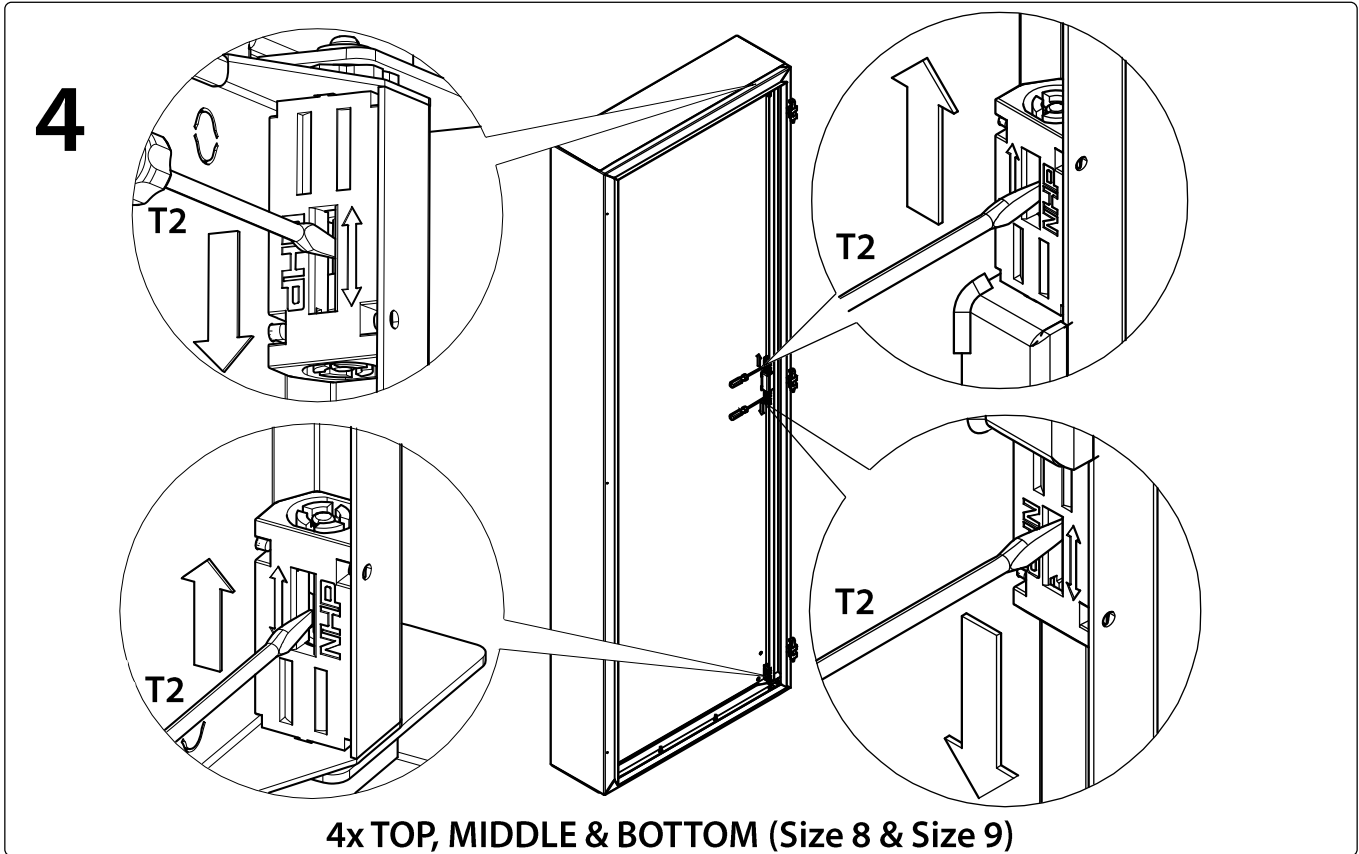
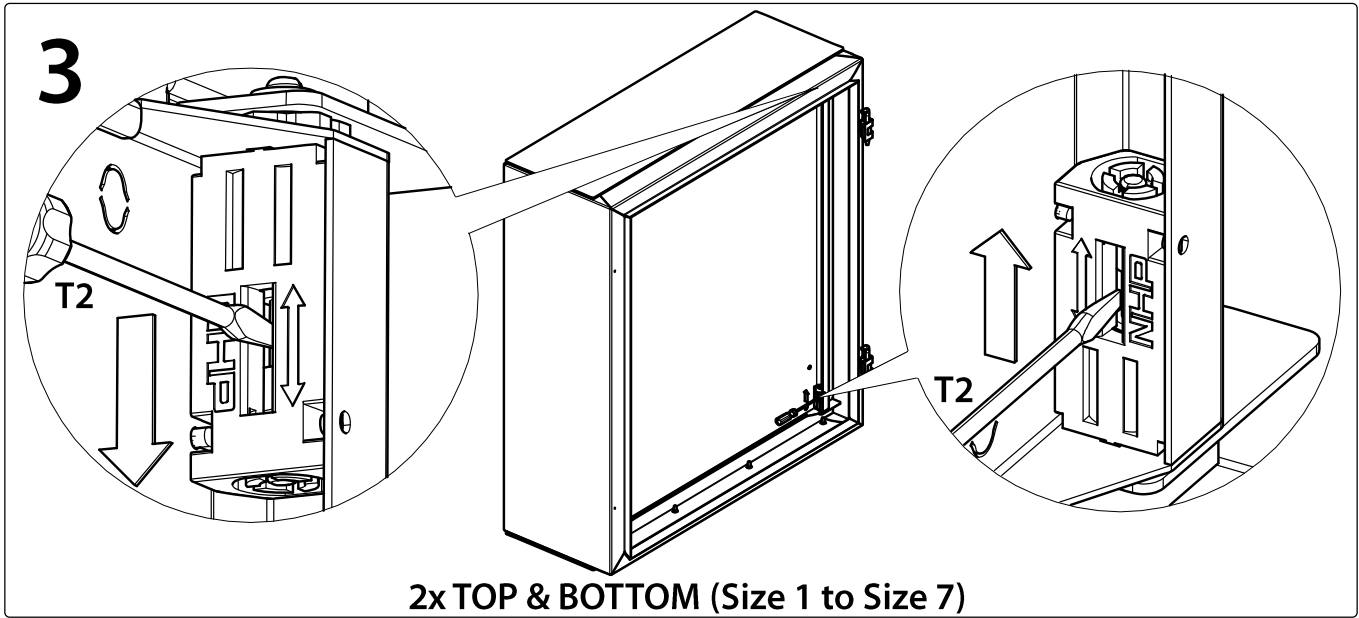
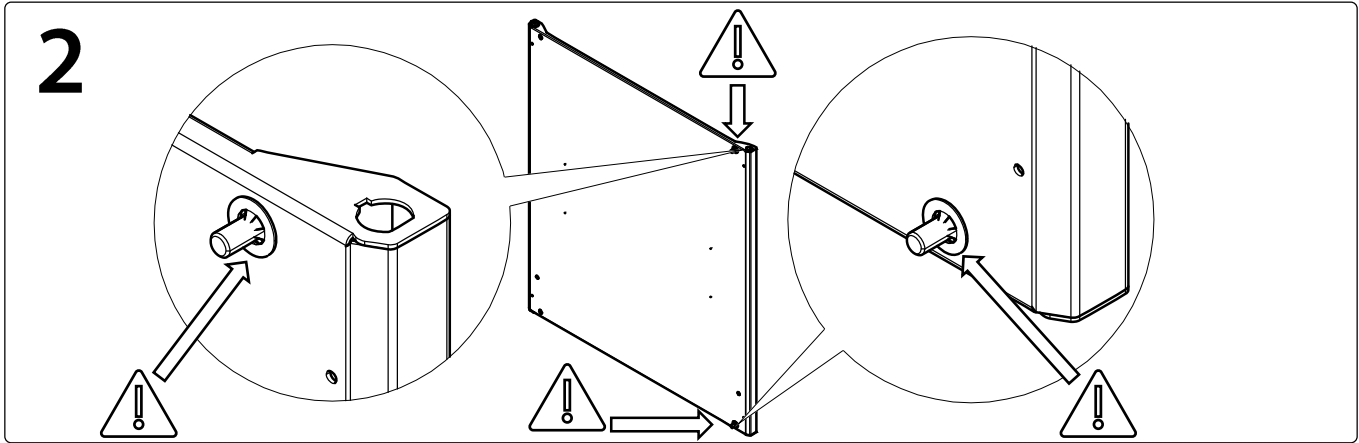
2x



T1

T1

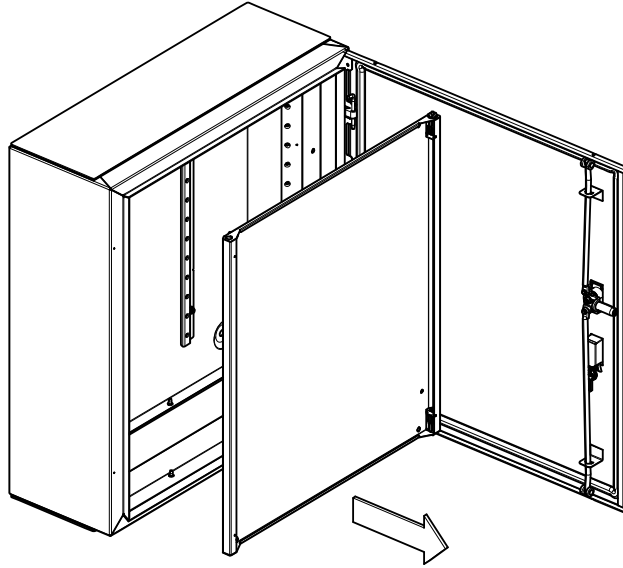




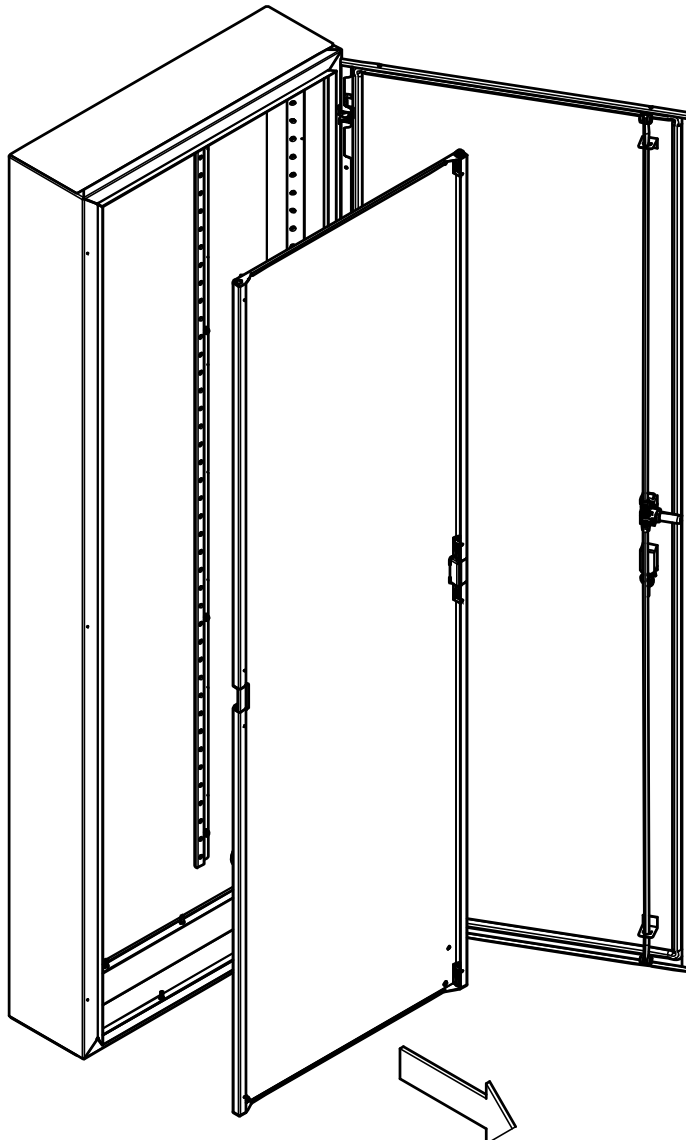
5

FINISH – ESCUTCHEON REMOVAL

(Size 1 to Size 7)

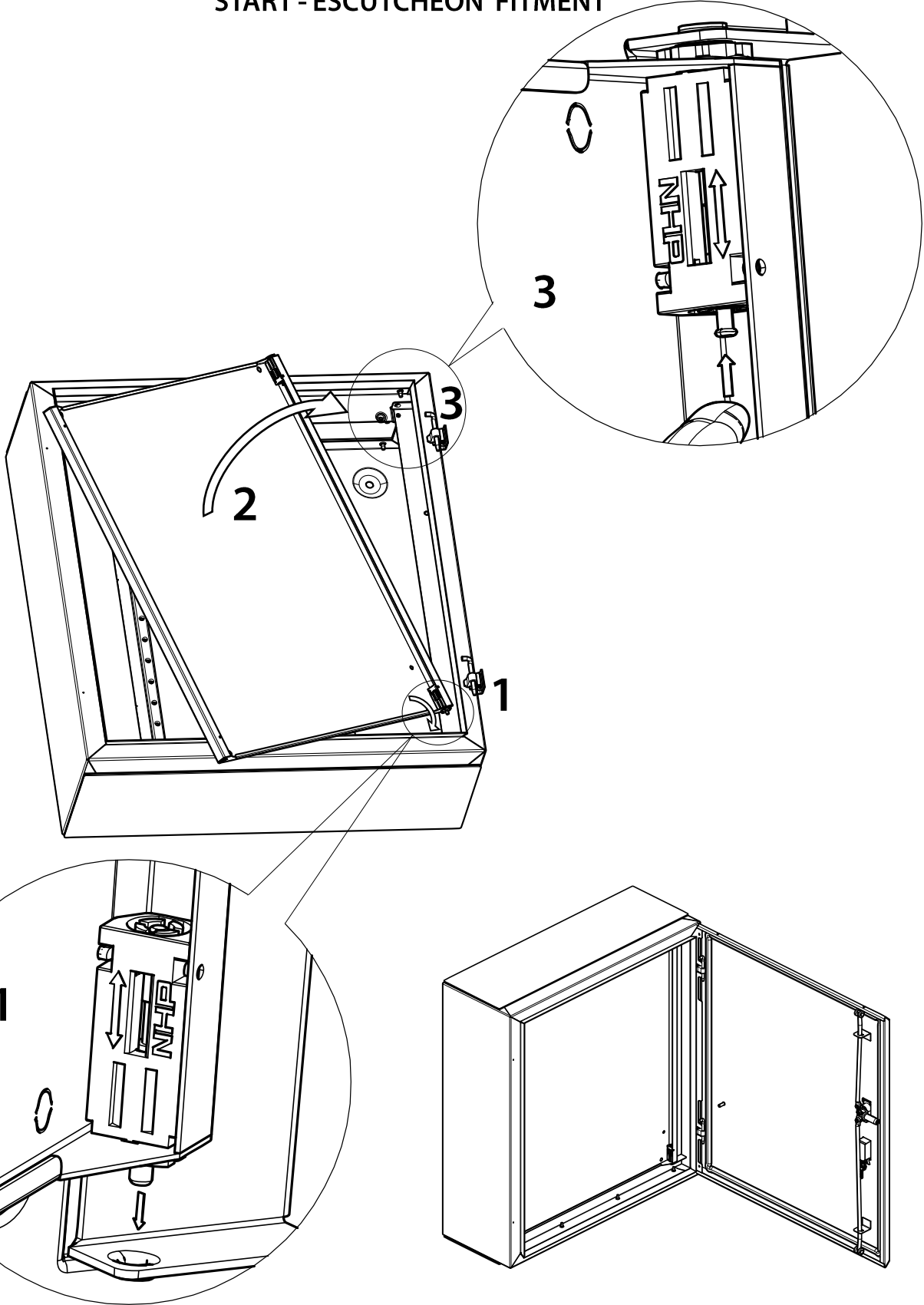


(Size 8 to Size 9)



6

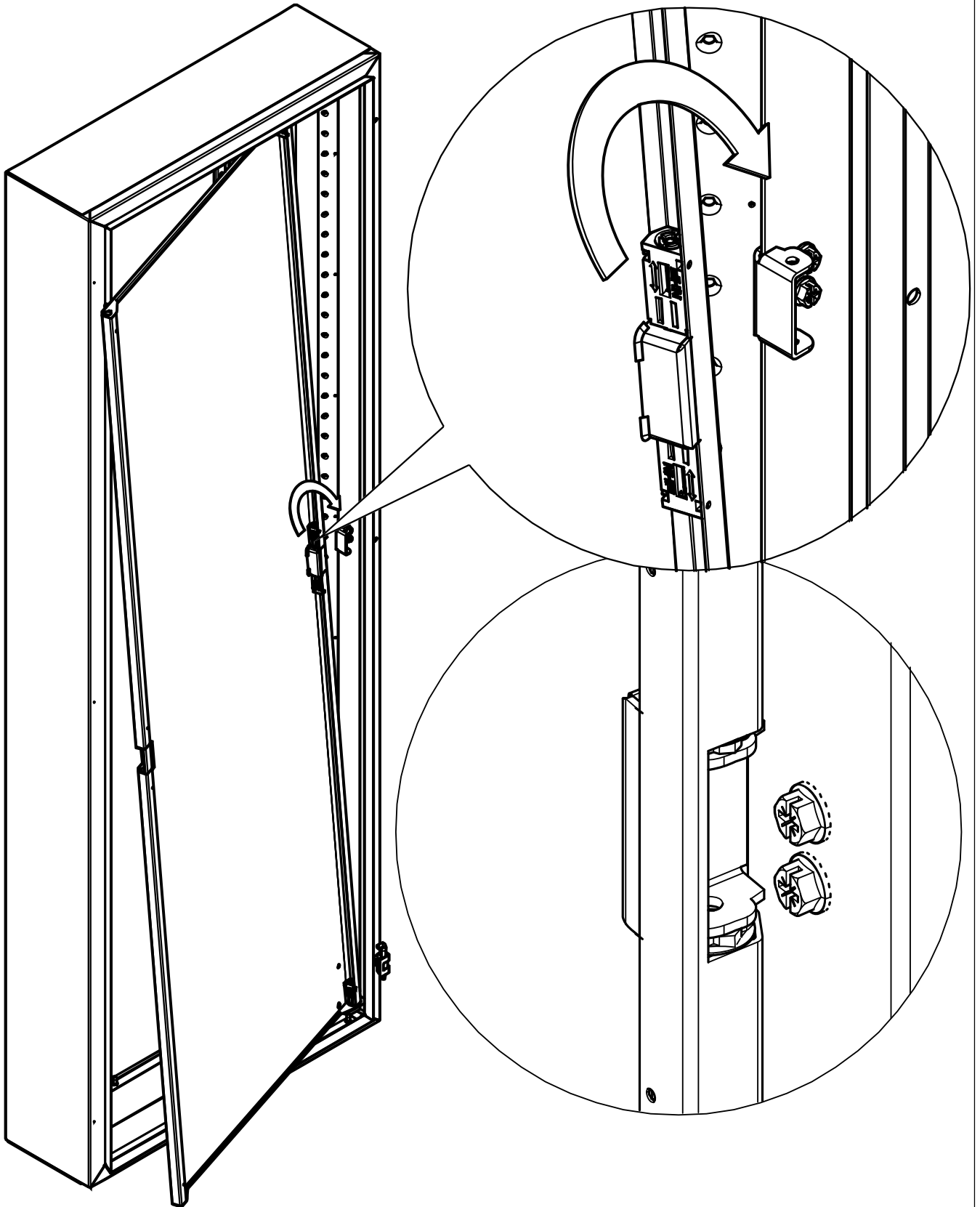
START - ESCUTCHEON FITMENT



2x TOP & BOTTOM (Size 1 to Size 7)
4x TOP, MIDDLE & BOTTOM (Size 8 & Size 9) – STEPS: 6-7-8

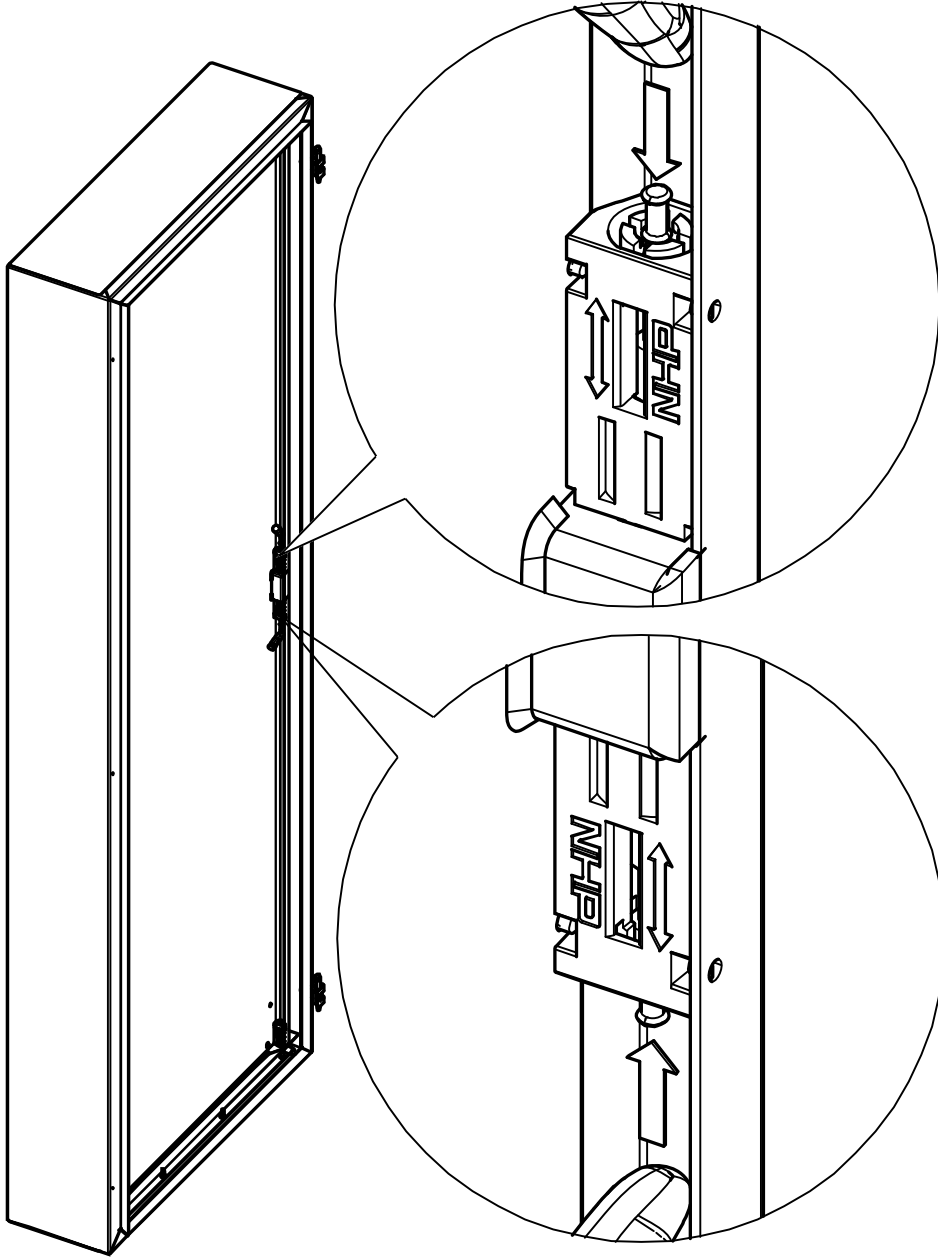
7

MIDDLE HINGES & SUPPORT (Size 8 & Size 9)



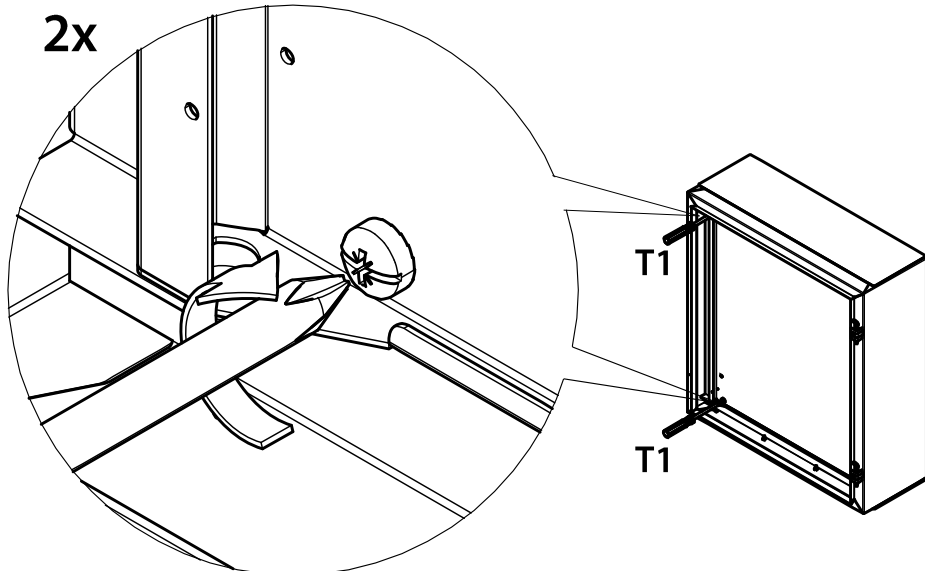
8

2x MIDDLE (Size 8 & Size 9)



9

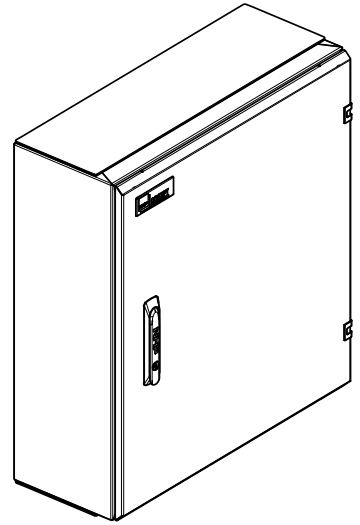
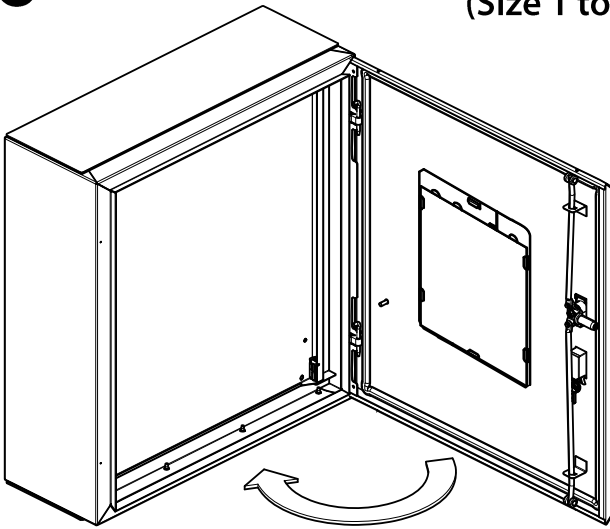
2x



10

FINISH – ESCUTCHEON FITMENT

(Size 1 to Size 7)



(Size 8 to Size 9)

